

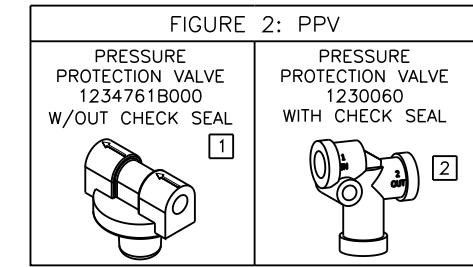
6 3 0 0 A A A A 0 0 - A A

SERIES

PACKAGING

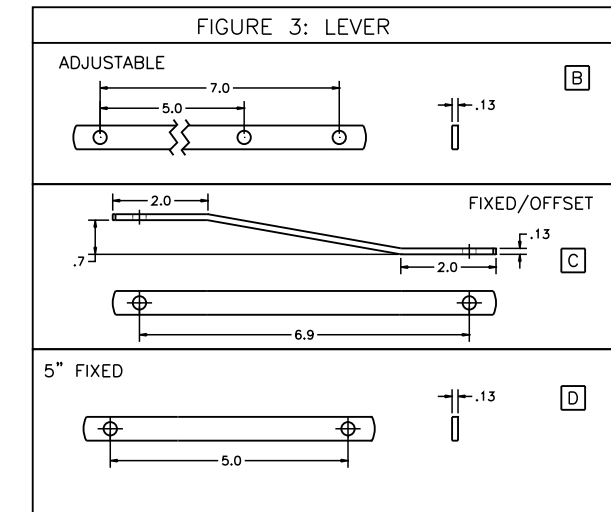
FITTINGS (FIG 7)

VALVE ITEM BB	VALVE NO	KIT NO
0 = HCV, STANDARD	6205004	6255004
1 = HCV, PRESSURE DUMP	6205005	6255005
2 = HCV, ZERO PRESSURE DUMP	6205006	6255006
3 = HCV, LO-FLO	6205007	6255007
9 = NO HCV		



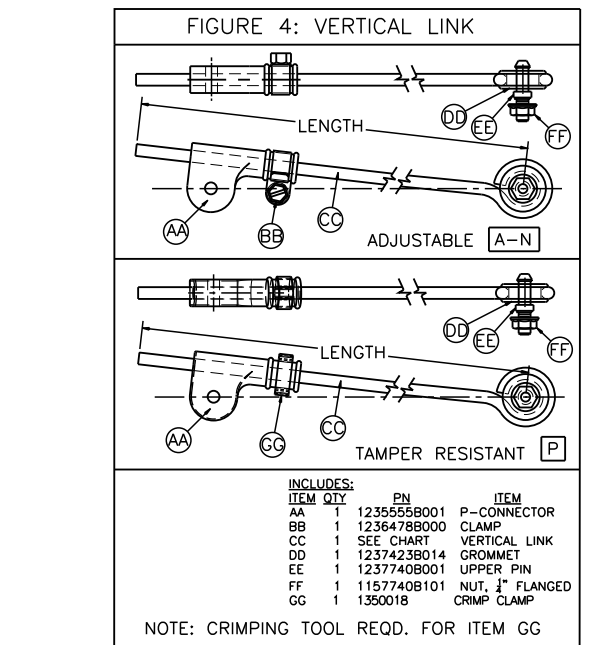
PRESSURE PROTECTION VALVE (FIG 2)

ITEM	PART NO
0 = (NONE)	-
1 = PRESSURE PROTECTION VALVE W/OUT CHECK SEAL	1234761B000
2 = PPV WITH CHECK SEAL	1230060



LEVER (FIG 3)

LEVER	LENGTH	PART NO
A = (NONE)	-	-
B = ADJUSTABLE	5.0"/7.0"	6212001
C = FIXED/OFFSET	6.9"	6212002
D = FIXED	5.0"	6212003
E = FIXED	9.0"	6212005



VERTICAL LINK (FIG 4)

LENGTH	CLAMP TYPE	VERTICAL LINK ITEM CC	KIT NO
A = (NONE)			
B = 5.50"	BB	1237423B050	6210010
C = 9.00"	BB	1237423B049	6210011
D = 10.50"	BB	1237423B018	6210012
E = 12.00"	BB	1237423B045	6210013
F = 14.00"	BB	1237423B015	6210014
G = 15.00"	BB	1237423B044	6210015
H = 16.00"	BB	1237423B017	6210016
J = 18.00"	BB	1237423B016	6210017
K = 19.90"	BB	1237423B019	6210018
L = 21.00"	BB	1237423B043	6210019
M = 7.00"	BB	1237423B051	6210020
N = 25.00"	BB	1237423B020	6210021
P = 15.00"	GG	1237423B044	6210022

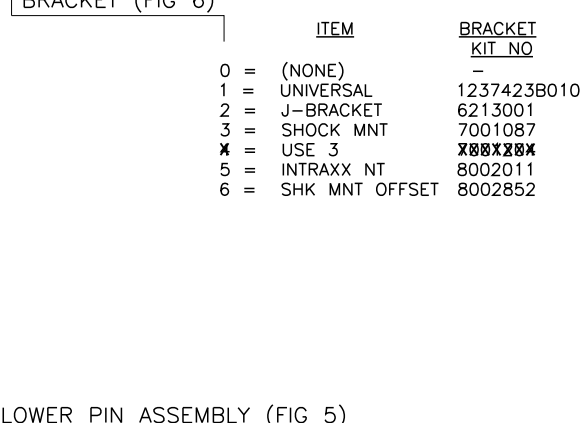
This drawing and/or electronic media containing this drawing is the sole property of the Ridewell Corp. and is loaned with the express condition that it is not to be used in any way deleterious to the interest of the Ridewell Corp. The acceptance of this drawing and/or electronic media containing this drawing will be construed as an acceptance of the foregoing conditions. Drawings and/or electronic media containing this drawing are to be returned to the Ridewell Corp. upon request.

CUSTOMER (BLANK) = (NOT SPECIFIC)
-AA = TWO DIGIT CODES ARE CUSTOMER SPECIFIC. SEE BPCS ITEM NOTES FOR PACKAGING INFO.

DRAWING/INSTRUCTIONS: RIDEWELL STD

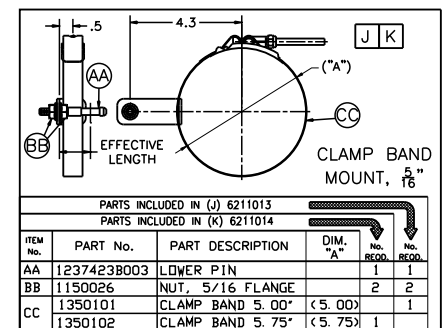
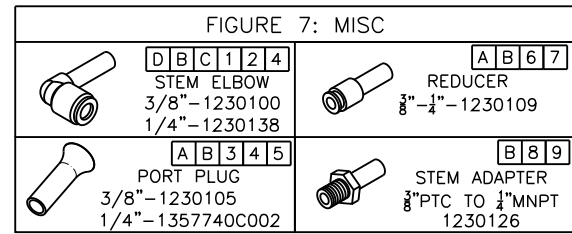
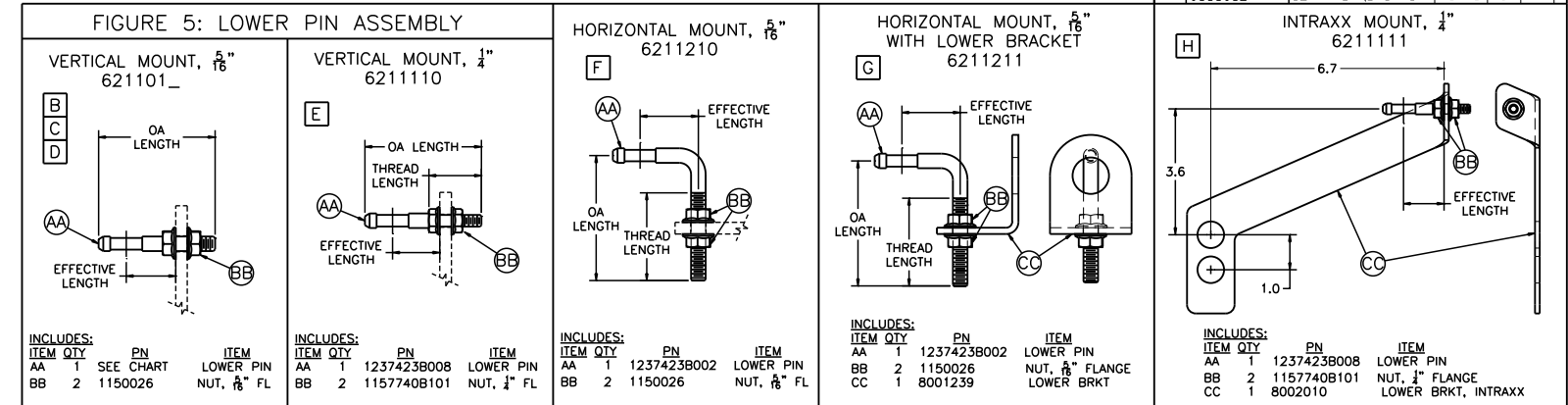
PN SHOWN ON PACKAGE: RIDEWELL PN

ITEM	QUANTITY	1/4" ELBOW	3/8" ELBOW	1/4" PLUG	3/8" PLUG	REDUCER	ADAPTER
0 = (NONE)	-	-	-	-	-	-	-
1 = STEM ELBOW 3/8"	0	1	0	0	0	0	0
2 = STEM ELBOW 1/2"	0	2	0	0	0	0	0
3 = PLUG 3/8"	0	0	0	1	0	0	0
4 = STEM ELBOW & PLUG 3/8"	0	1	0	1	0	0	0
5 = PLUG 1/2"	0	0	1	0	0	0	0
6 = REDUCER	0	0	0	0	0	3	0
7 = REDUCER	0	0	0	0	0	1	0
8 = STEM ADAPTER	0	0	0	0	0	0	3
9 = STEM ADAPTER	0	0	0	0	0	0	4
A = REDUCER & PLUG 3/8"	0	0	0	1	1	1	0
B = UNIVERSAL	0	0	2	0	0	3	3
C = STEM ELBOW 1/4"	2	0	0	0	0	0	0
D = STEM ELBOW 3/8"	0	3	0	0	0	0	0



LOWER PIN ASSEMBLY (FIG 5)

PIN ASSEMBLY TYPE	OA LENGTH	THREAD LENGTH	EFFECTIVE LENGTH	LOWER PIN ITEM AA	KIT NO
A = (NONE)	-	-	-	-	-
B = VERTICAL MOUNT, 5/16"	2.50"	1.13"	1.00"	1237423B003	6211010
C = VERTICAL MOUNT, 1/8"	2.00"	1.00"	.75"	1237423B013	6211011
D = VERTICAL MOUNT, 5/16"	4.25"	1.88"	2.50"	1237423B802	6211012
J = VERT MNT, CLAMP, 5/16" 5.00"	2.50"	1.13"	1.00"	1237423B003	6211013
K = VERT MNT, CLAMP, 5/16" 5.75"	2.50"	1.13"	1.00"	1237423B003	6211014
E = VERTICAL MOUNT, 1/4"	2.50"	1.13"	1.00"	1237423B008	6211110
F = HORIZONTAL MOUNT, 5/16"	2.68"	1.88"	1.25"	1237423B002	6211210
G = HORIZONTAL MNT & BKT, 5/16"	2.68"	1.88"	1.25"	1237423B002	6211211
H = INTRAXX MOUNT, 1/4"	2.50"	1.13"	1.00"	1237523B008	6211111



REV	ECN#	REVISION DESCRIPTION	DATE	BY	CHK	APPD	DRAWN BY:	DATE	TITLE:	PART NO:	REV:
P	09100	CHANGED HCV KITS (3RD CHARACTER) TO VALVE W/OUT A CHECK SEAL	6/21/10	G.H.	MDJ	DK	DK	2/23/06	HEIGHT CONTROL KITS CHARTED	6300AAA00	P
N	09100	ADDED 1 ELBOW TO FIG 7, ADDED 9" LEVER	11/10/09	DK	MDJ	DK	BB	2/28/06			
M	09100	ADDED MOUNTING BRACKET 6, REMOVED 4	3/5/08	G.H.	MDJ	DK	BB	2/28/06			
L	08100	ADDED B, C, & D TO FIG 7	3/5/08	G.H.	MDJ	DK	05112	SCALE: B-SIZE: NTS D-SIZE: NTS			
K	07100	ADDED PLUG/REDUCER COMBINATION "A"	11-8-07	DK	MDJ	DK					
J	07100	ADDED FITTING 1230126 IN FIGURE 7 W/ OPTION 8 & 9	7/24/07	DK	MDJ	DK					
H	05112	ADDED NO HCV OPTION TO 3RD CHARACTER	5/8/07	GH	MDJ	DK					
REV	ECN#	REVISION DESCRIPTION	DATE	BY	CHK	APPD	TOLERANCES UNLESS OTHERWISE SPECIFIED: DECIMAL: .X ±0.1 FRACTION: ±1/16 .XX ±0.06 ANG: X ±1° .XXX ±0.030 [XXX] KCC *WELD TOLERANCES PER ISO WD45-02		SHEET 1 OF 1		

